

PLUS - Static Preparation 1200 mm Worktop Cupboard with Upstand

ITEM # _____

MODEL # _____

NAME # _____

SIS # _____

AIA # _____


134034 (GTN1210E)

WorkTop Cupboard with 1 shelf, 2 sliding doors and upstand, 1200mm

Short Form Specification

Item No.

Enhanced stability and solid construction thanks to the welded frame and legs. The 50mm high worktop in 304 AISI stainless steel, with Scotch Brite finishing 15/10 mm in thickness, has anti-drip edges and welded corners. 18mm thick undertop waterproof reinforcement, it's completely waterproof, double-sided laminated and 100% recyclable. Sound-deadened double walled sliding doors on roll bearings with end limit stop (7/10 in thickness in 304 AISI stainless steel). Upstand h=100mm with 10mm radius corner covered on the back with AISI 304 stainless steel spot welded profile. 40mm intermediate shelf (8/10 in thickness) can be positioned at three different heights. Base panel in AISI 304 stainless steel (8/10 in thickness) with upturned edges reinforced by stainless steel AISI 304 bars. Welded to the legs for further structure reinforcement. Height adjustable feet (-20/+30 mm) in 304 AISI stainless steel.

Main Features

- Enhanced stability and solid construction. Stability, loading and stress tests by external certified body.
- Product range suitable for international tenders requirements for intense usage installations.

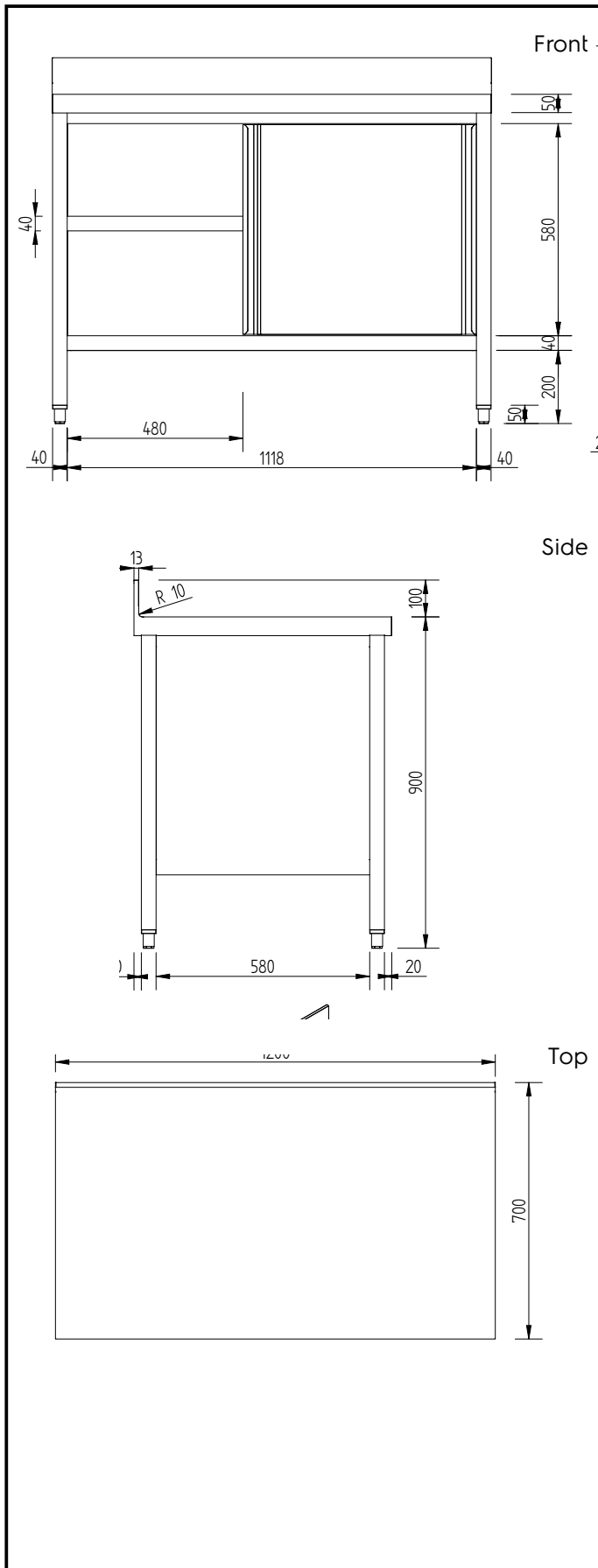
Construction

- Welded frame and legs.
- Worktop with 50 mm high profile, in s/s Scotch Brite finishing, 15/10 in thickness with anti-drip edges and welded corners.
- Undertop is 18mm in thickness, reinforced, completely waterproof, double-sided laminated and 100% recyclable.
- Upstand back completely covered with Stainless Steel welded profile.
- Door sliding system is fluent and reliable, tested with over 80.000 cycles by external certified body.
- Sliding doors are in stainless steel and double-walled with sound-deadening material inside. They are 7/10mm in thickness with roll bearings and end limit stop.
- Cupboard interior has easy access thanks to completely openable doors.
- Intermediate shelf has 40mm high profile, is 8/10 in thickness with upturned edges and bar reinforcement. It can be positioned at three different heights.
- Base panel has 40mm high profile, is 8/10 in thickness with upturned edges and bar reinforcement. It is welded to legs for further structure reinforcement.
- Height-adjustable stainless steel feet (-20/+30mm).
- Constructed entirely in 304 AISI stainless steel.

Optional Accessories

- Set of 4 wheels (2 with brake), PNC 855207 diameter=125mm

APPROVAL: _____



Key Information:

Cabinet width:	134034 (GTN1210E)	1118 mm
Cabinet depth:		580 mm
Cabinet height:		580 mm
External dimensions, Width:		1200 mm
External dimensions, Depth:		700 mm
External dimensions, Height:		1000 mm
Upstand Dimensions, Height:		100 mm
Upstand Dimensions, Depth:		13 mm
Upstand Dimensions, Radius:		R=10
Number and type of doors:		2 Sliding
Worktop thickness:		50 mm
Net weight:		66 kg
Adjustable Feet		-20/+30 mm